

ECT Series Metal two core through hole connector

PRODUCT MODEL: ECT 3 2 XX X

3:Connector Type:
3=shield; 5=unshield

2:Number of holes:
2=two holes

XX:Cable cross-sectional area:
12=2.5 square 13=4 square
14=6 square 15=10 square

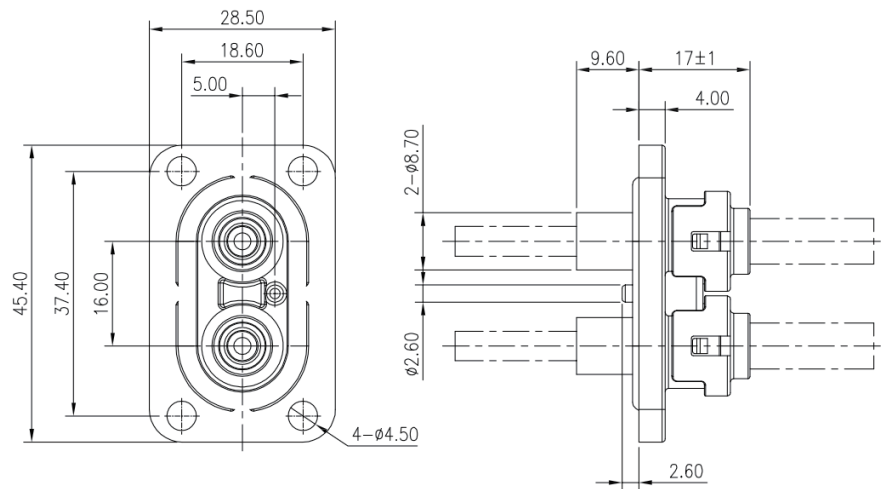
X:Preventing Misinsertion of Key Positions:
A=A Key B=B Key C=C Key



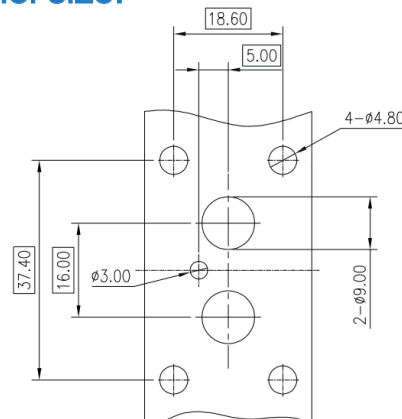
Product Performance:

- Wiring scope:
2.5 to 6mm² Shielded cable
2.5 to 10mm² Unshielded cable
- Rated current:
16A to 35A (Shielded)
16A to 65A (Unshielded)
- Rated voltage:1000V DC
- Insulation resistance:
≥200MΩ (DC1000V)
- Withstand voltage:3000V AC
- EMI:360°Shielded
- Salt spray: 48 hour
- IP Grade: IP67(Assembled)
- operation temperature: -40°c to +125°c
- Material of the shell: aluminum alloy
- Flame retardant grade:UL94V-0

Overall dimensions:



Panel size:



The higher the requirements for waterproofing or airtightness, the higher the roughness requirement. Generally, we recommend a roughness between 1.6 and 3.2Ra